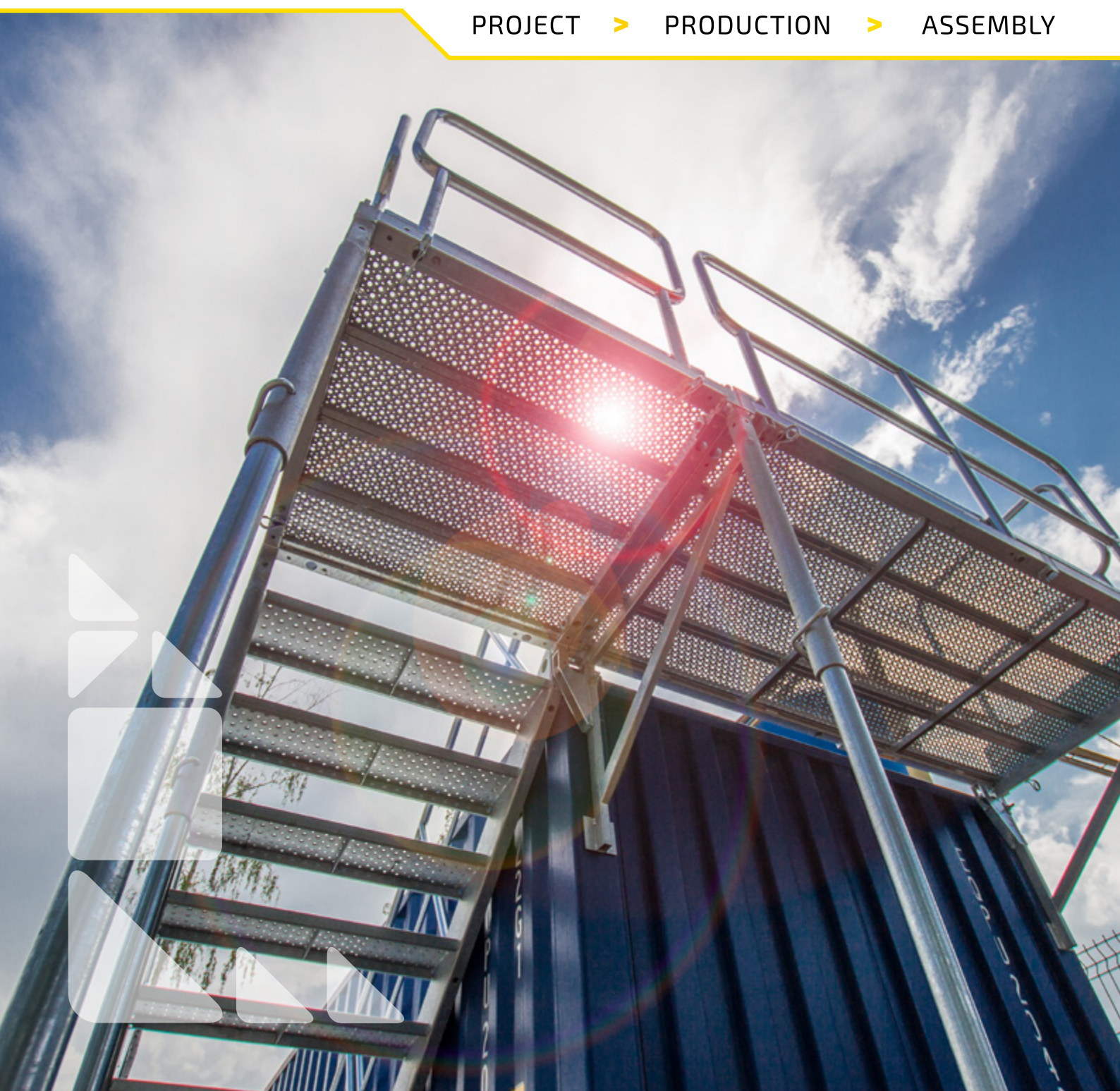




Architectural Metalwork

CONTAINER STAIRS

PROJECT > PRODUCTION > ASSEMBLY





TLC GROUP IN BRIEF



Swedish-Polish manufacturer with companies operating in Poland, Sweden and the UK



More than 13 years of experience in manufacturing stairs and steel platforms as well as construction safety systems



In-house engineering and technological offices as well as a research and development department



Modern and fully automated machinery park



Highly qualified engineering, technical and production staff



Comprehensive Customer service: design, manufacturing, sales, rental, transportation, assembly and repair services delivered all across Europe



The manufacturer holds TÜV SÜD Poland certificate No. 2527 according to EN 1090-1, EN 1090-3. The performance of the products confirmed by CE mark



The information in this advertising material is for reference only. The product specification should be subject to verification with technical data provided by the manufacturer.

INDEX

TLC GROUP	2
TLC CONTAINER STAIRS GENERAL INFORMATION	4, 5
STEEL STAIRS 2kN <ul style="list-style-type: none">technical detailspractical modular constructionsafety and confort of usagetypes of balustradesassembly variants	6-15
STEEL STAIRS 5kN <ul style="list-style-type: none">technical detailspractical modular constructiontypes of balustradesassembly variants	16-23
ALUMINIUM STAIRS 2kN <ul style="list-style-type: none">technical detailspractical modular constructionsafety and confort of usagetypes of balustradesassembly variants	24-33
TERRACES	34, 35
OUR REALISATIONS	36, 37
OTHER TLC GROUP PRODUCTS	38, 39



TLC CONTAINER STAIRS

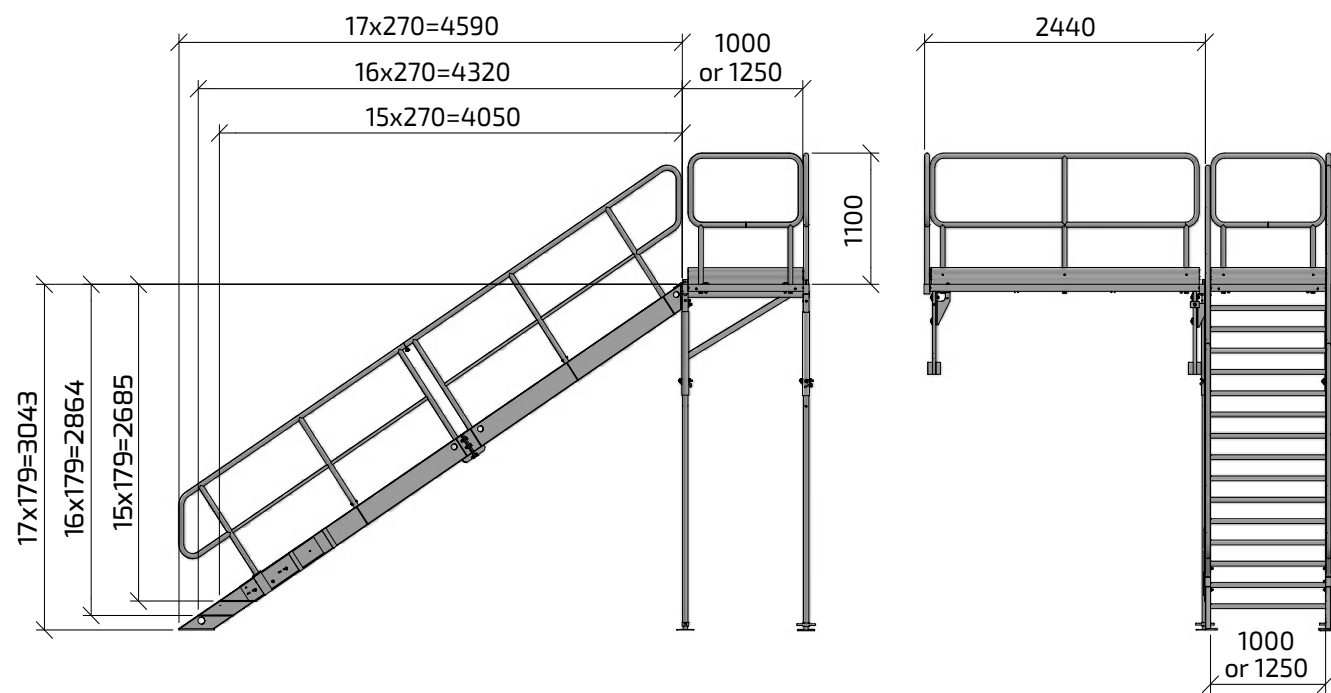
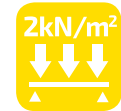
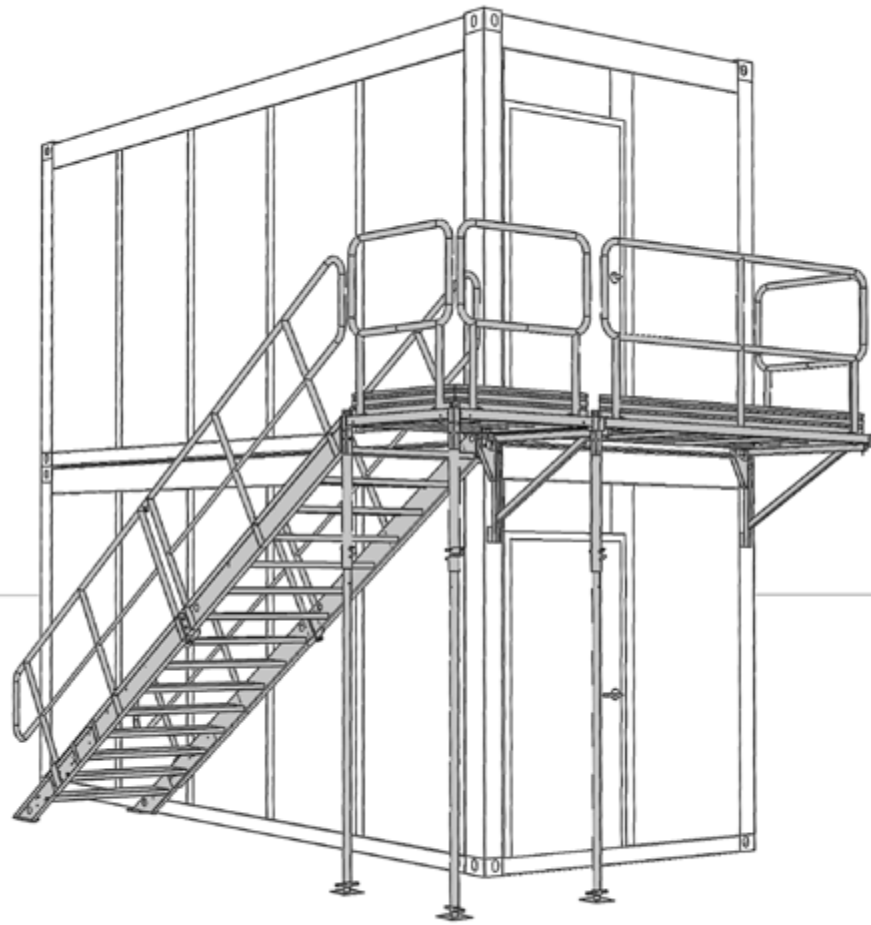
GENERAL INFORMATION

TLC container stairs are universal, durable and easy to assemble light modular structures designed and manufactured in accordance with European directives and standards. Attention to every detail from project, through production, endurance tests and quality control makes our product reliable even in the most demanding conditions. Thanks to that TLC container stairs provide hassle-free and safe usage through many years.

STANDARD FEATURES OF AVAILABLE SOLUTIONS:

- Safe stairs system designed in accordance to EN ISO 14122-3 and EN 12811-1
- Maximum workloads: 2kN/m² and 5kN/m², depending on version
- Various widths of steps: 1000mm and 1250mm (2kN/m² version) and 1200mm (5kN/m² version)
- The system is compatible with both storage and shipping containers
- Static calculations based on eurocodes, carried out by renowned Austrian company GBD ZT GmbH from Dornbirn **gbu zt**
- Steps and platforms with non slippery surface
- Modular system that enables to easy and space-saving transport, short assembly process, and wide configuration variety depending on container sizes and available space
- Easy to assemble and disassemble without losing its performance values
- Durability and resistance to weather conditions thanks to hot-dipgalvanizing
- Stairs produced in a certified production hall according to EN 1090 standard issued by TÜV SÜD; CE-marked
- Available in two versions: steel and aluminum

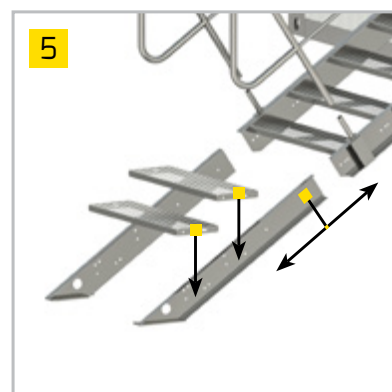
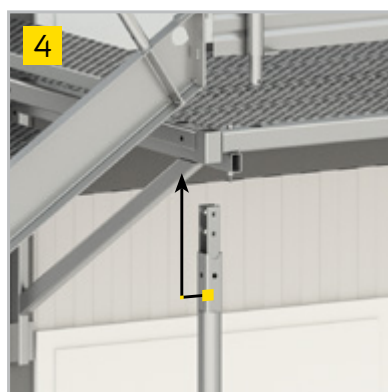
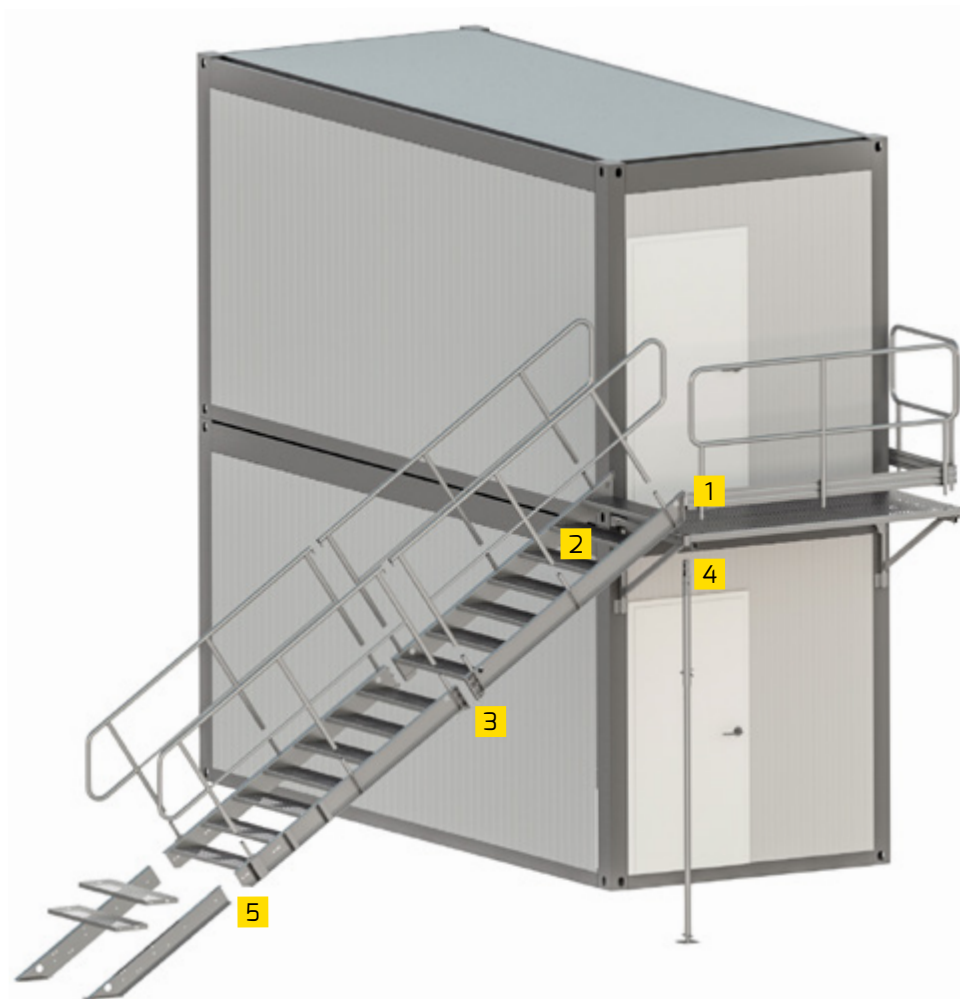
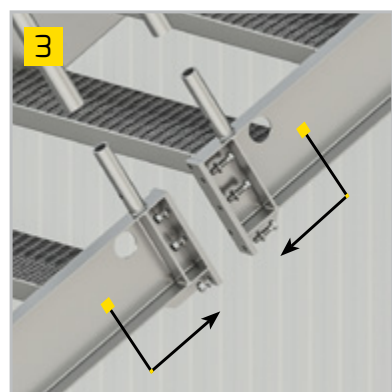
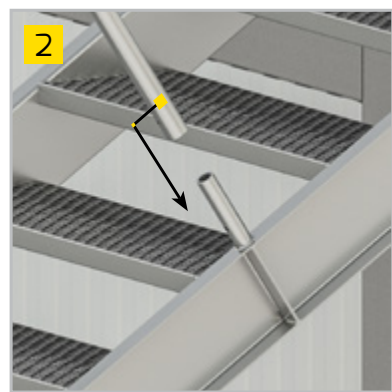
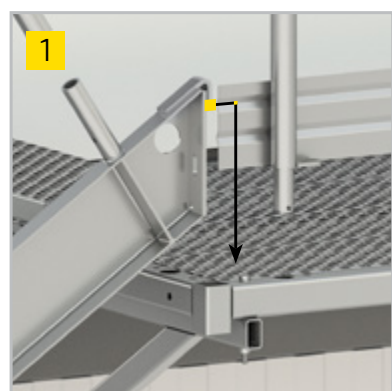
TECHNICAL DETAILS



STEEL STAIRS 2kN

PRACTICAL MODULAR CONSTRUCTION

- FAST AND SIMPLE ASSEMBLY IN ANY CONFIGURATION
- REPEATABILITY OF ELEMENTS
- SMALL NUMBER OF FASTENERS
- EXTENSION POSSIBILITY
- EASY TRANSPORT



tlc.eu

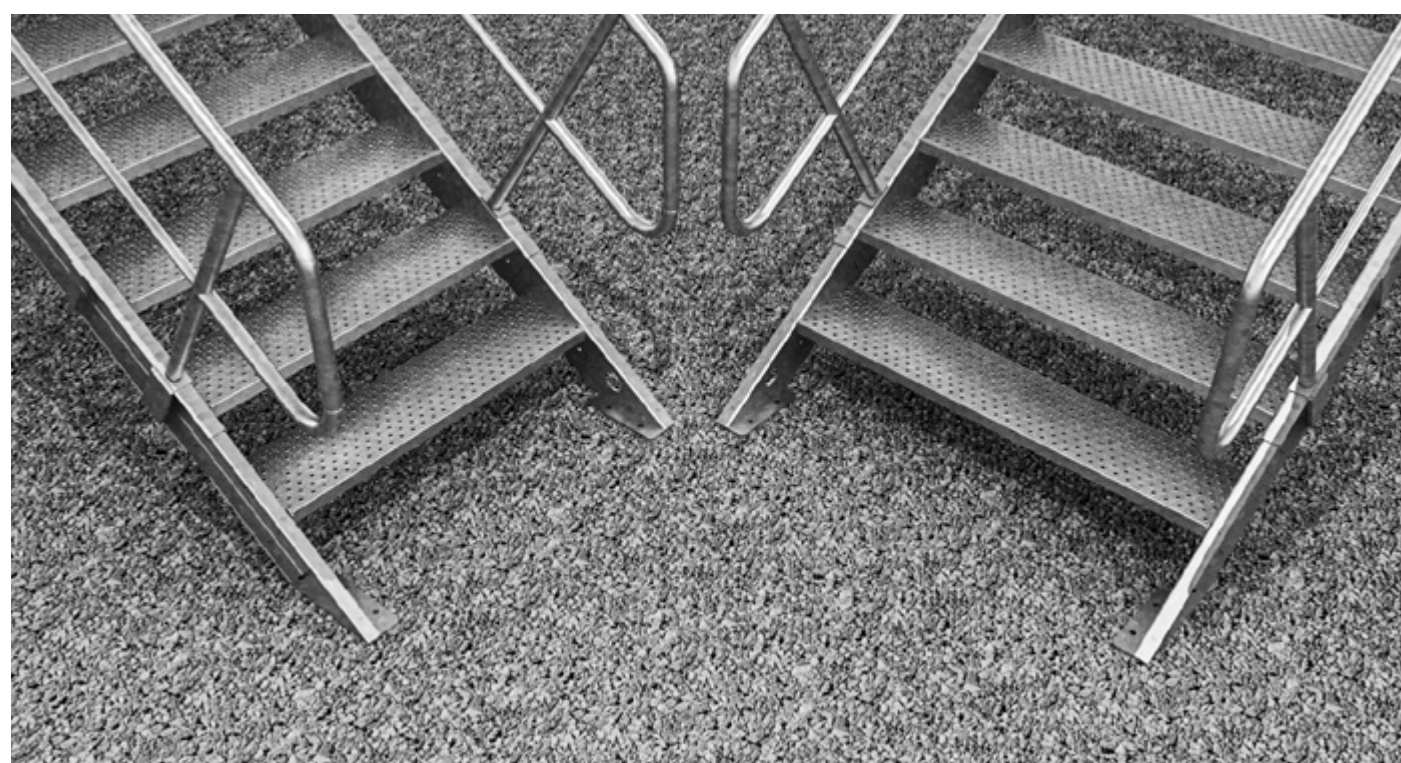


SAFETY AND COMFORT OF USAGE

STEPS AND PLATFORMS WITH NON SLIPPERY SURFACE



TWO WIDTHS OF STEPS: 1000mm and 1250mm



TYPES OF BALUSTRADES

INDUSTRIAL BALUSTRADE

Light and simple construction that can be used whenever children safe railings are not required by law.

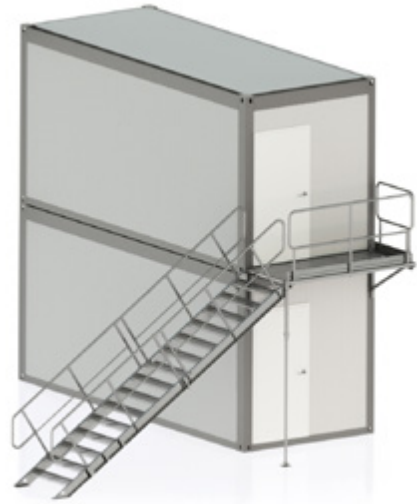


SAFE BALUSTRADE

The railing is filled with additional barriers according to imposed standards. They are used at worksites where rigorous safety norms are in force.



ASSEMBLY VARIANTS



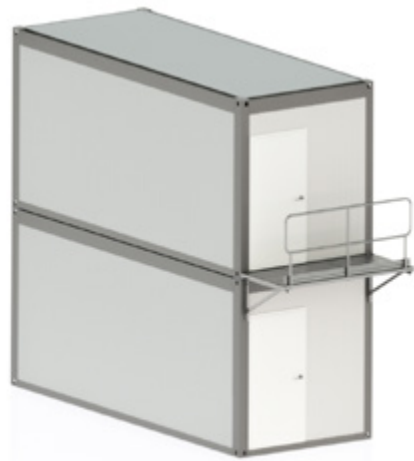
variant S2.1



variant S2.3



variants S2.4, S2.4A, S2.6



variant S2.5



variant S2.5A



variant S2.7



variant S2.8



variant S2.9

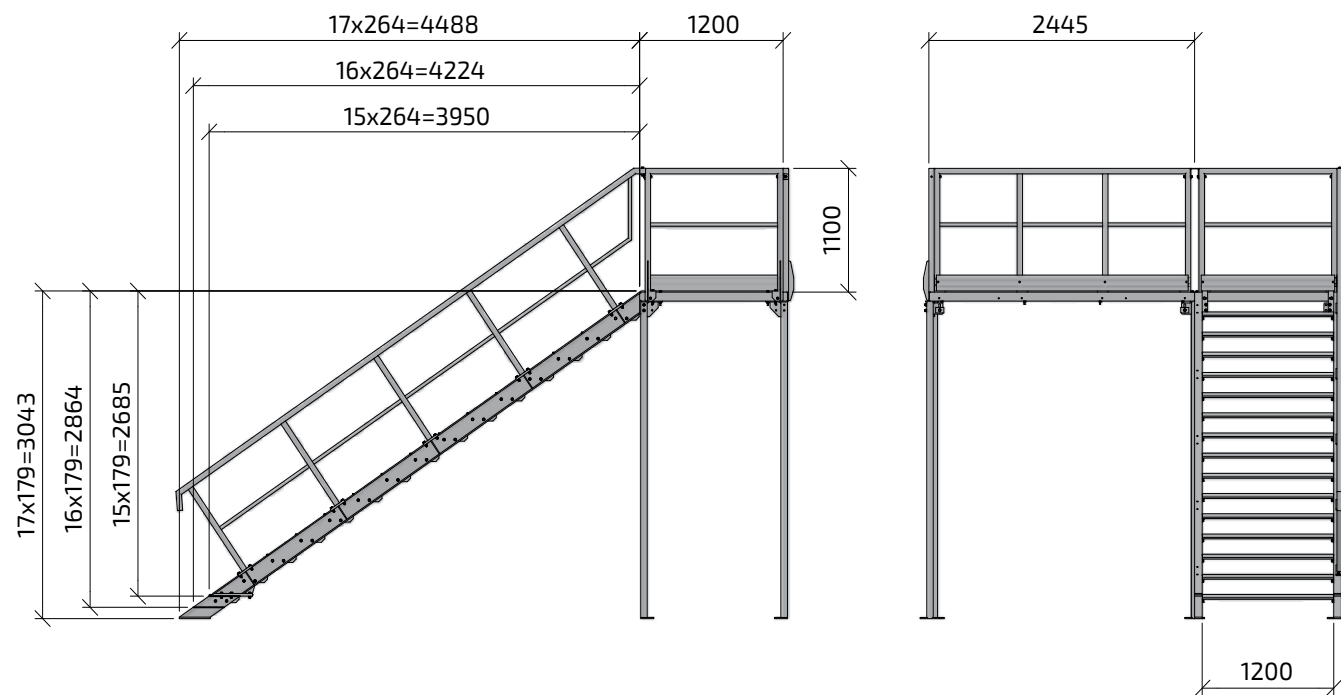
tlc.eu



variant S2.10



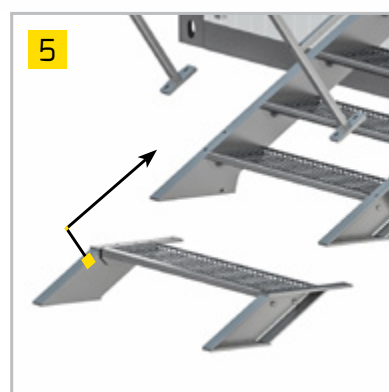
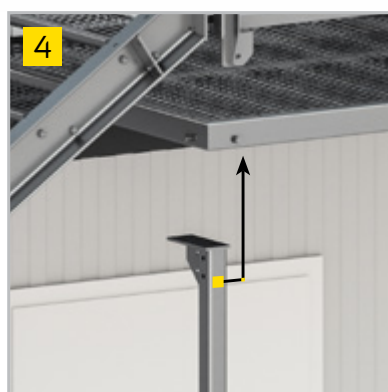
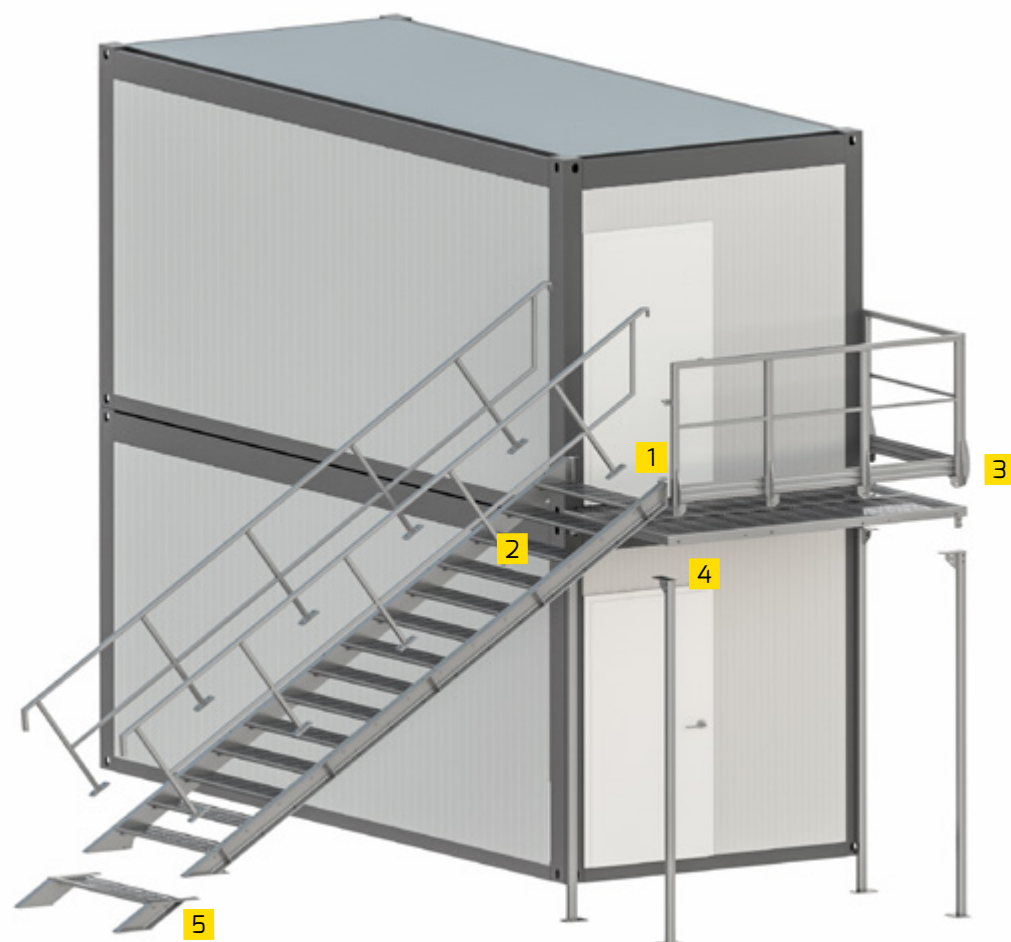
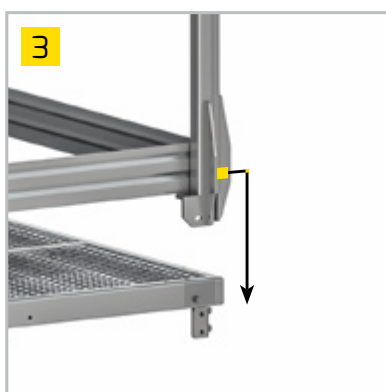
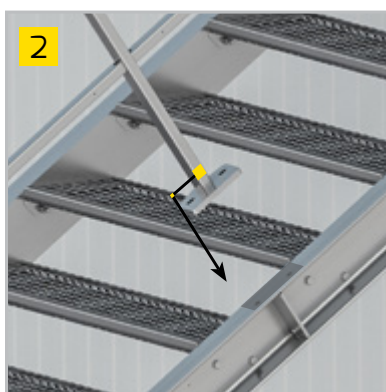
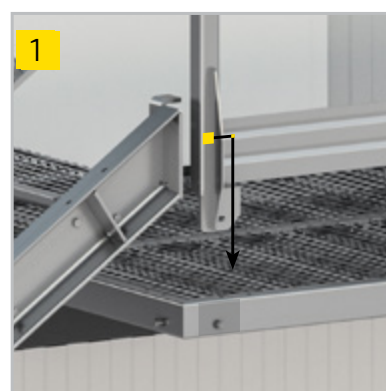
TECHNICAL DETAILS



STEEL STAIRS 5kN

PRACTICAL MODULAR CONSTRUCTION

- FAST AND SIMPLE ASSEMBLY IN ANY CONFIGURATION
- UNIFIED ELEMENTS
- SMALL NUMBER OF FASTENERS
- EXTENSION POSSIBILITY
- EASY TRANSPORT



TYPES OF BALUSTRADES

INDUSTRIAL BALUSTRADE

Light and simple construction that can be used whenever children safe railings are not required by law.

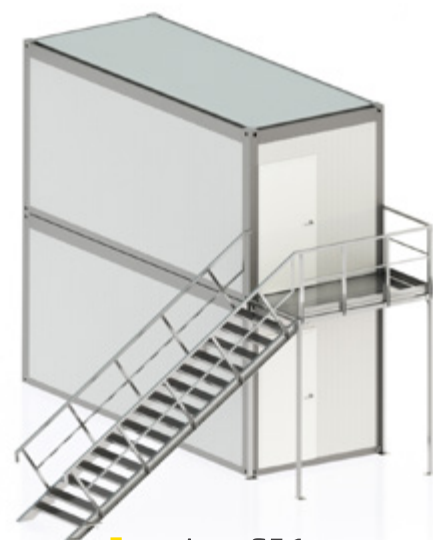


SAFE BALUSTRADE

The railing is filled with additional barriers according to imposed standards. They are used at worksites where rigorous safety norms are in force.



ASSEMBLY VARIANTS



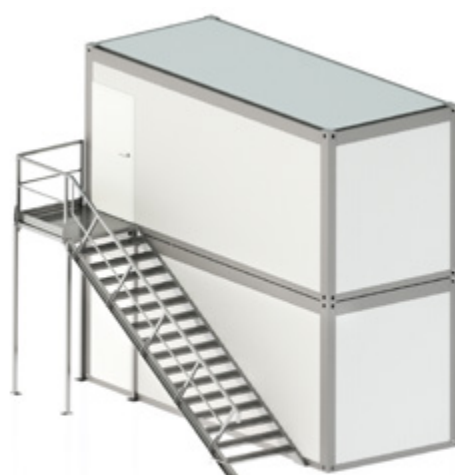
variant S5.1



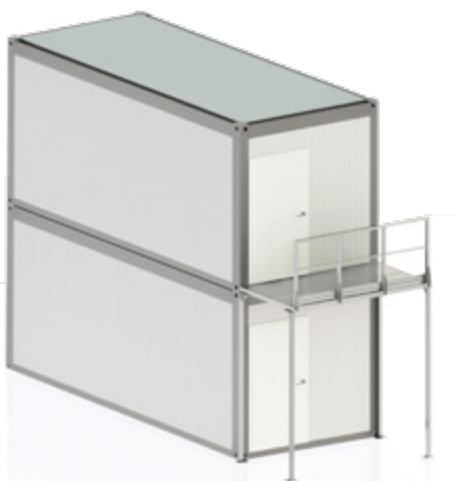
variant S5.1A



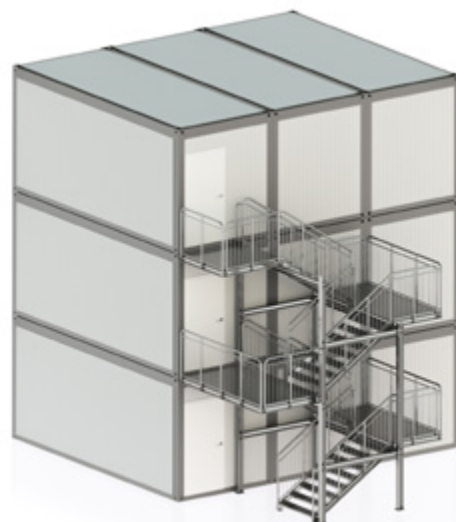
variant S5.3



variants S5.4, S5.4A, S5.6



variant S5.5

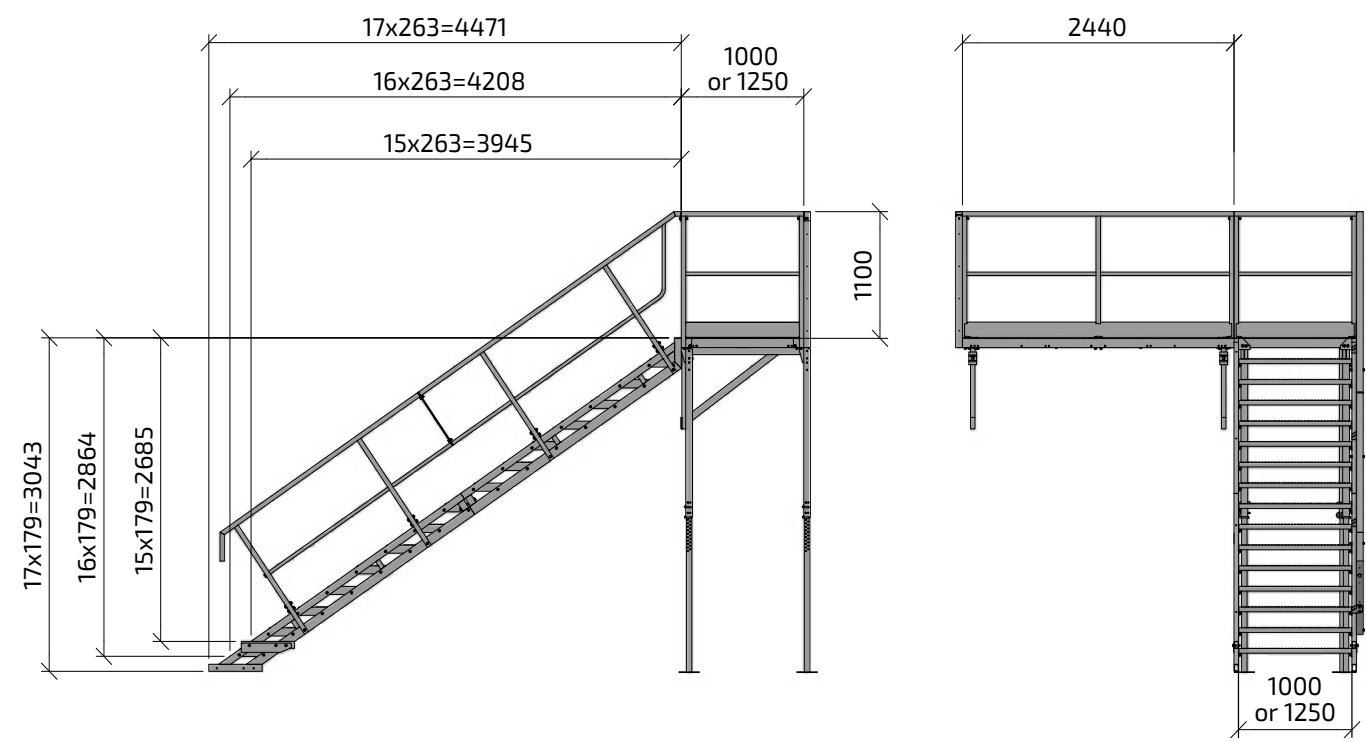
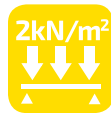
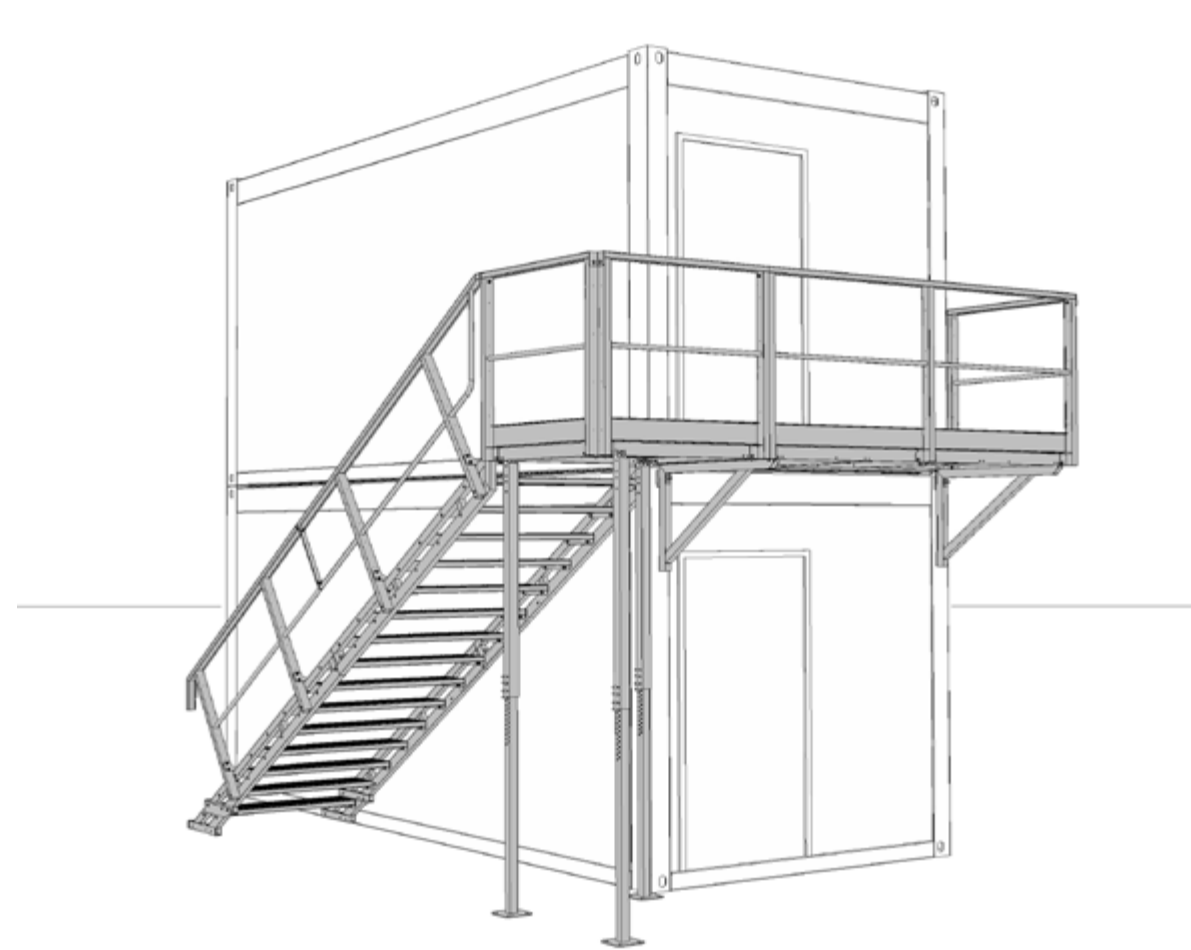


variant S5.9

tlc.eu



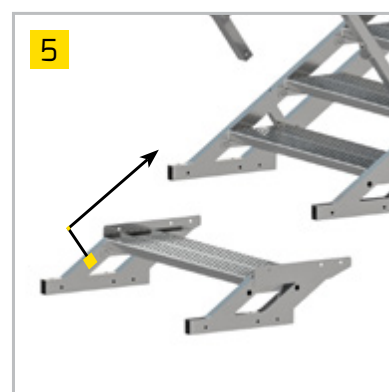
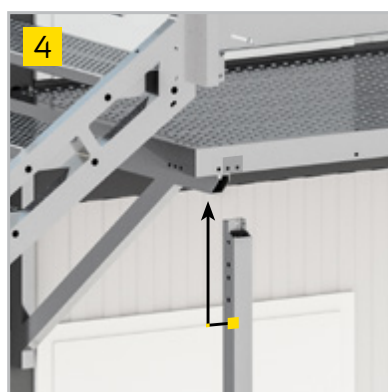
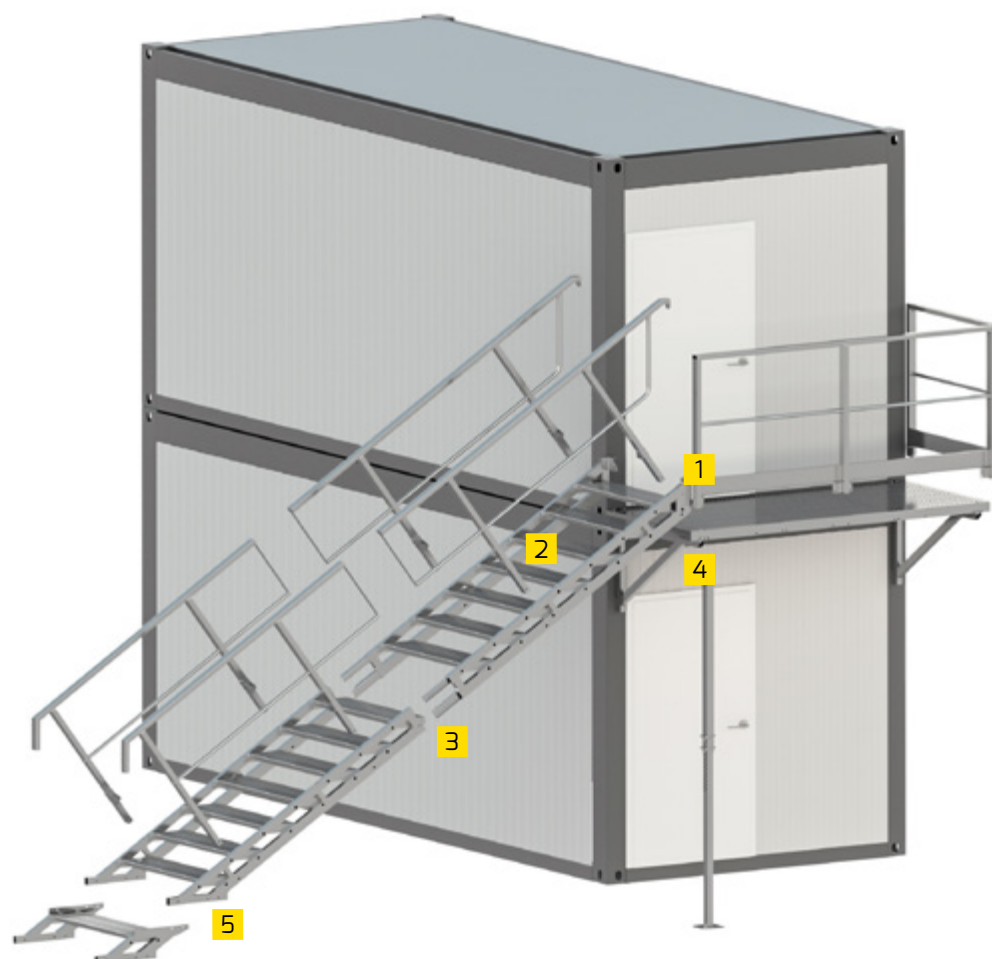
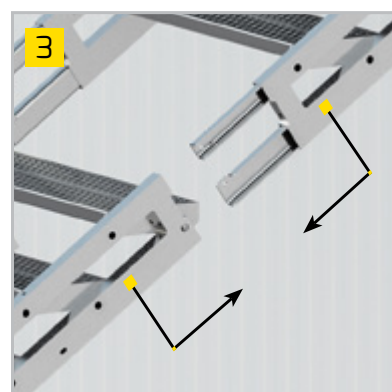
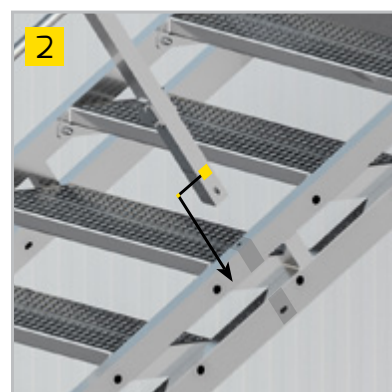
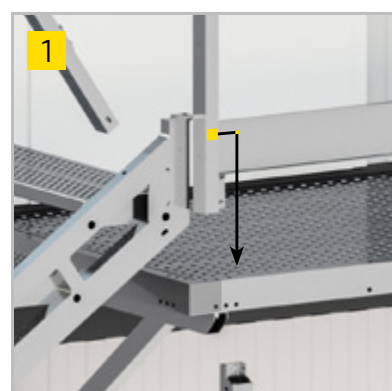
TECHNICAL DETAILS



ALUMINUM STAIRS 2kN

PRACTICAL MODULAR CONSTRUCTION

- FAST AND SIMPLE ASSEMBLY IN ANY CONFIGURATION
- UNIFIED ELEMENTS
- SMALL NUMBER OF FASTENERS
- EXTENSION POSSIBILITY
- EASY TRANSPORT



tlc.eu

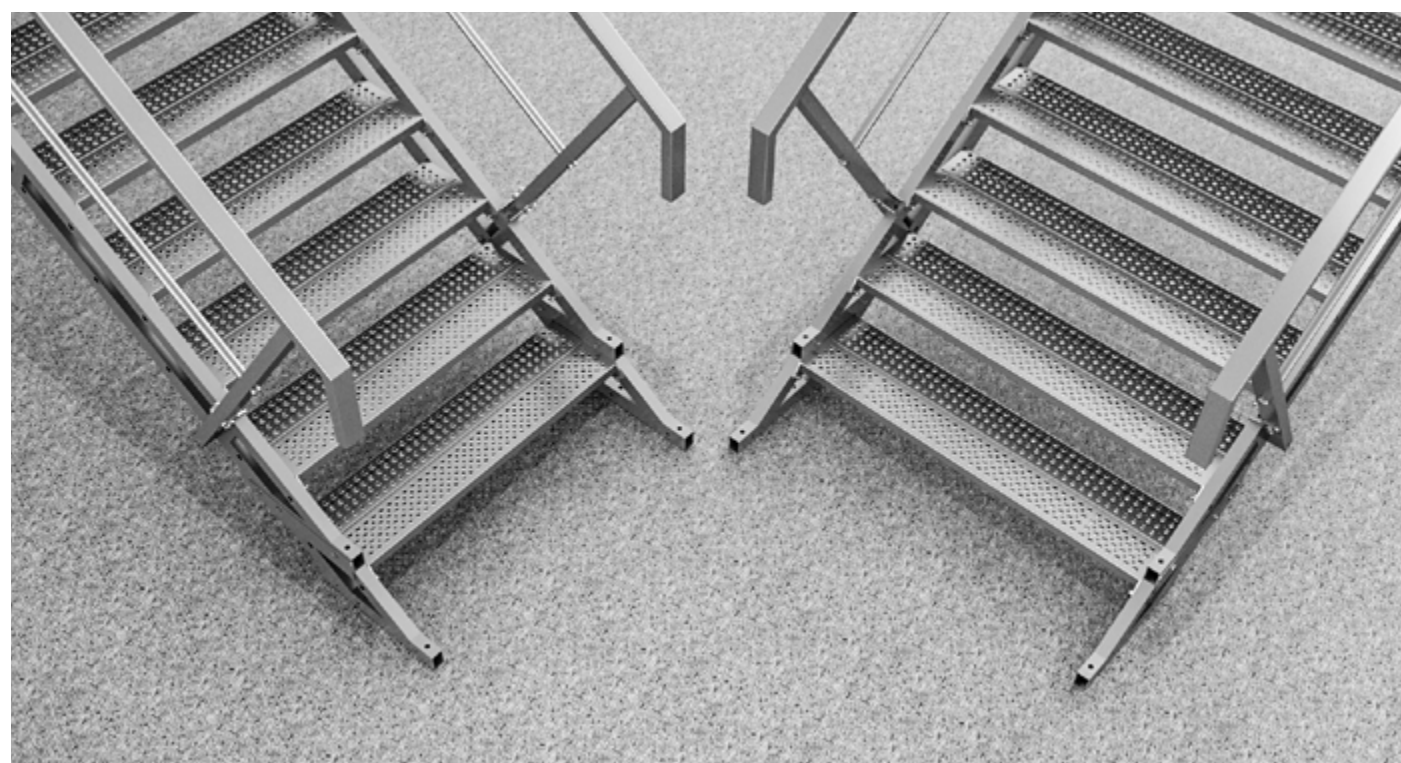


SAFETY AND COMFORT OF USAGE

- STEPS AND PLATFORMS WITH NON SLIPPERY SURFACE



- TWO WIDTHS OF STEPS: 1000mm and 1250mm



TYPES OF BALUSTRADES

INDUSTRIAL BALUSTRADE

Light and simple construction that can be used whenever children safe railings are not required by law.



SAFE BALUSTRADE

The railing is filled with additional barriers according to imposed standards. They are used at worksites where rigorous safety norms are in force.



ASSEMBLY VARIANTS



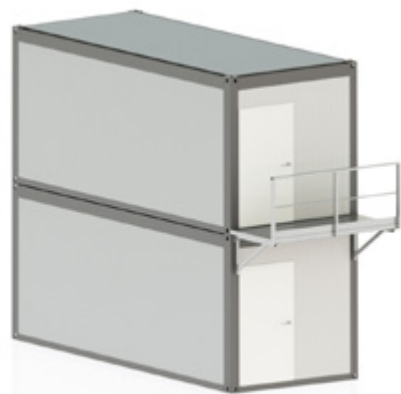
variant A2.1



variant A2.3



variant A2.4



variant A2.5



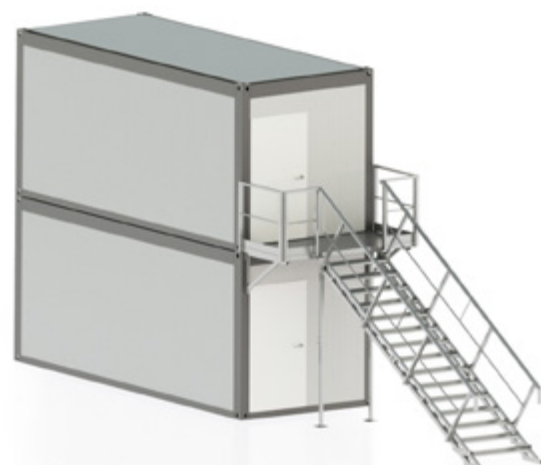
variant A2.5A



variant A2.4A, A2.6



variant A2.7

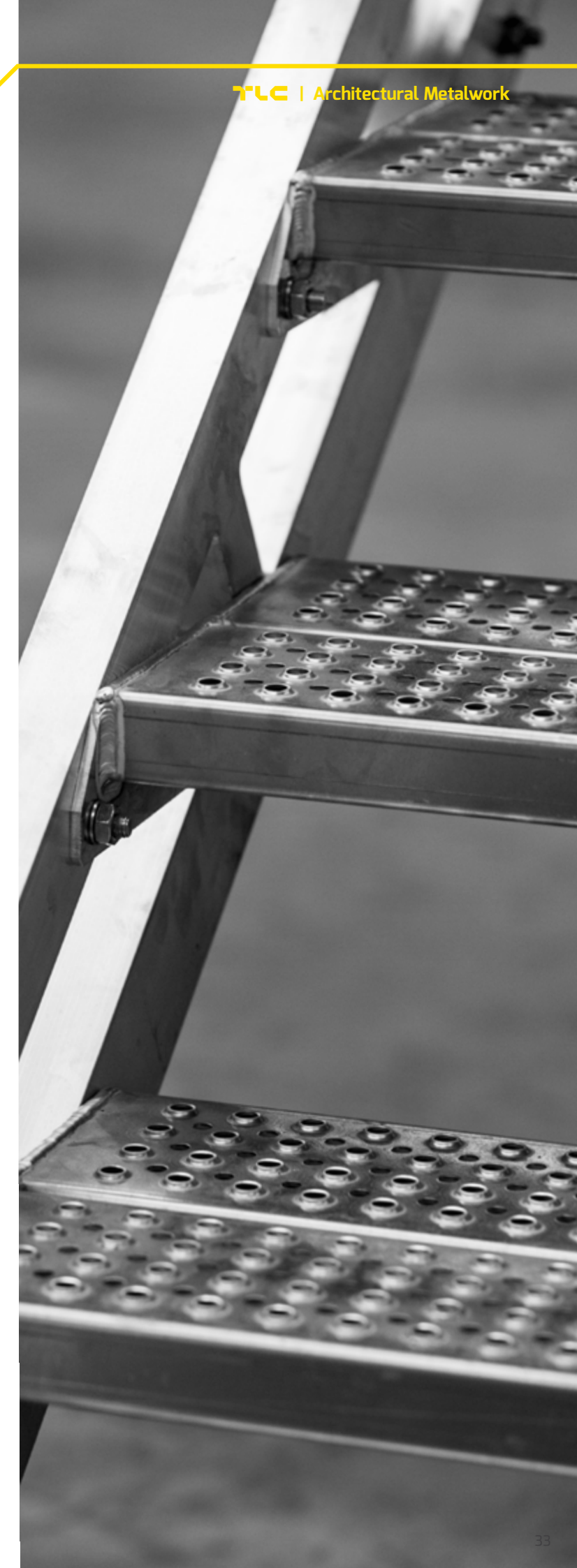


variant A2.8

tlc.eu



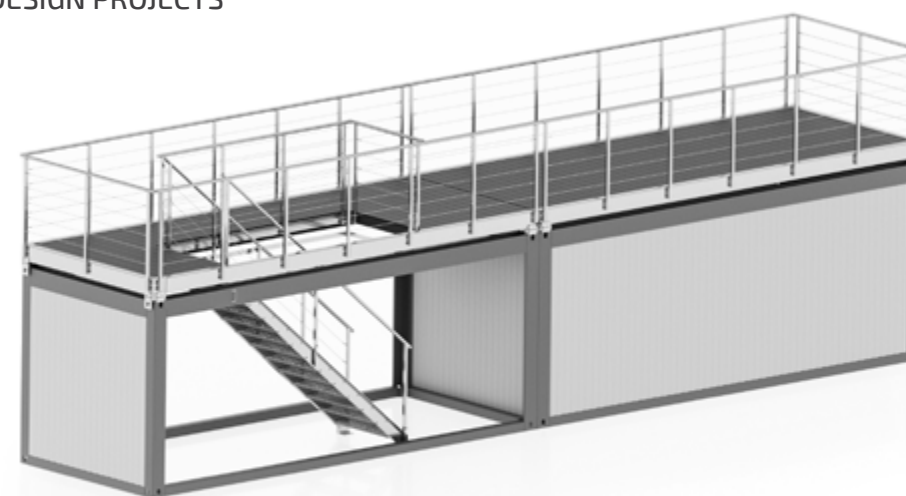
variant A2.10



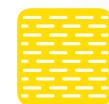
TERRACES

The main purpose of container terraces is to extend the usable floor area according to individual needs of a client. Terraces can be assembled on any standard container. Choosing the right railing as well as terrace floor is usually imposed by the law. For both - railing and terrace fulfillment TLC offers a standard solution or bespoke project. The entry to the terrace is possible thanks to the standard container stairs which can be assembled both inside and outside the container.

BESPOKE DESIGN PROJECTS



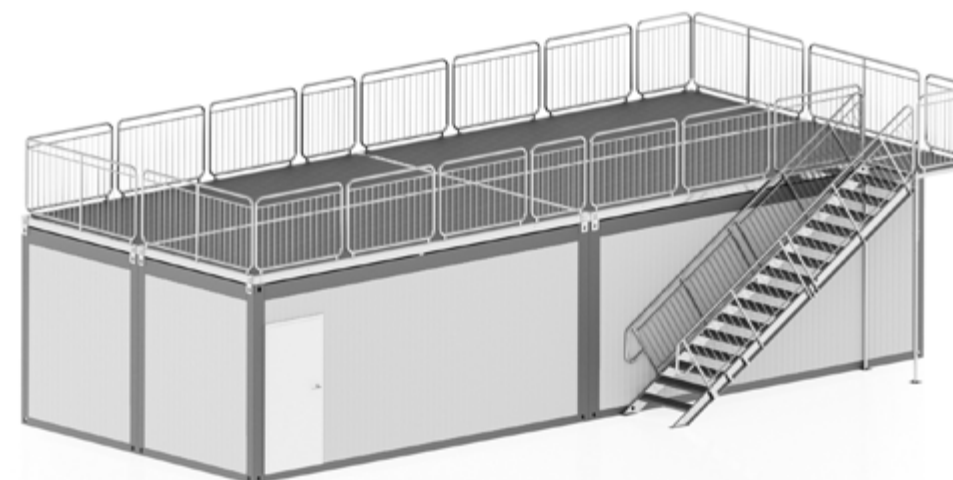
customised to the project



customised to the project



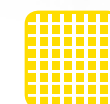
STANDARD MODULAR SOLUTION



industrial balustrade



children safe balustrade



press welded grating



perforated planks

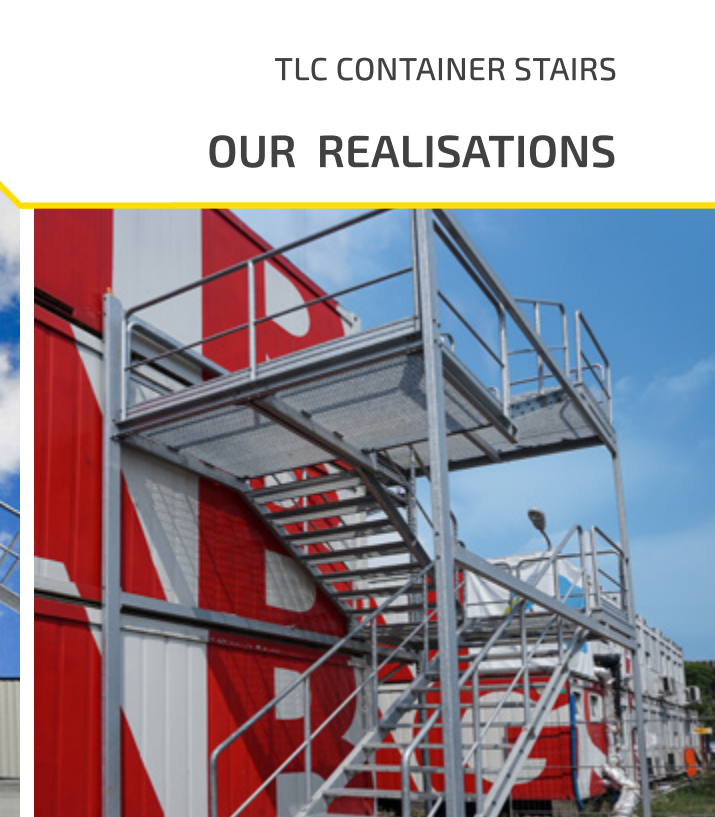


composite decking board



without surface

TLC CONTAINER STAIRS
OUR REALISATIONS

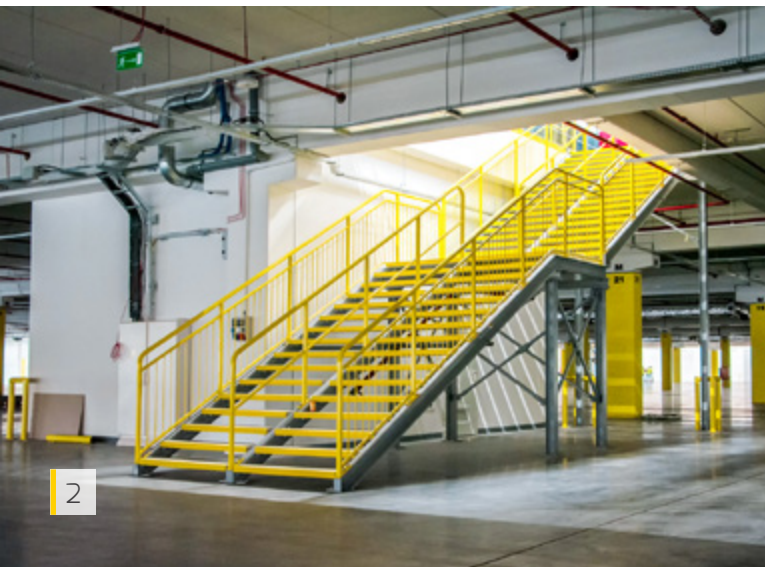




1



3



2



4

OTHER TLC GROUP PRODUCTS

- **Emergency stairs** 1
 Norway, Bjornasen
- **Technical stairs** 2
 Poland, Poznań
- **Temporary fences** 3
 Poland, Gorlice
- **Spiral stairs** 4
 Sweden, Helsingborg
- **Communication (stairs, landings, ladders)** 5
 Poland, Środa Wielkopolska
- **EPS system** 6
 Poland, Cieszyn
- **TAS temporary stairs** 7
 Poland, Warsaw
- **Technical stairs** 8
 United Kingdom, Cumbria



5



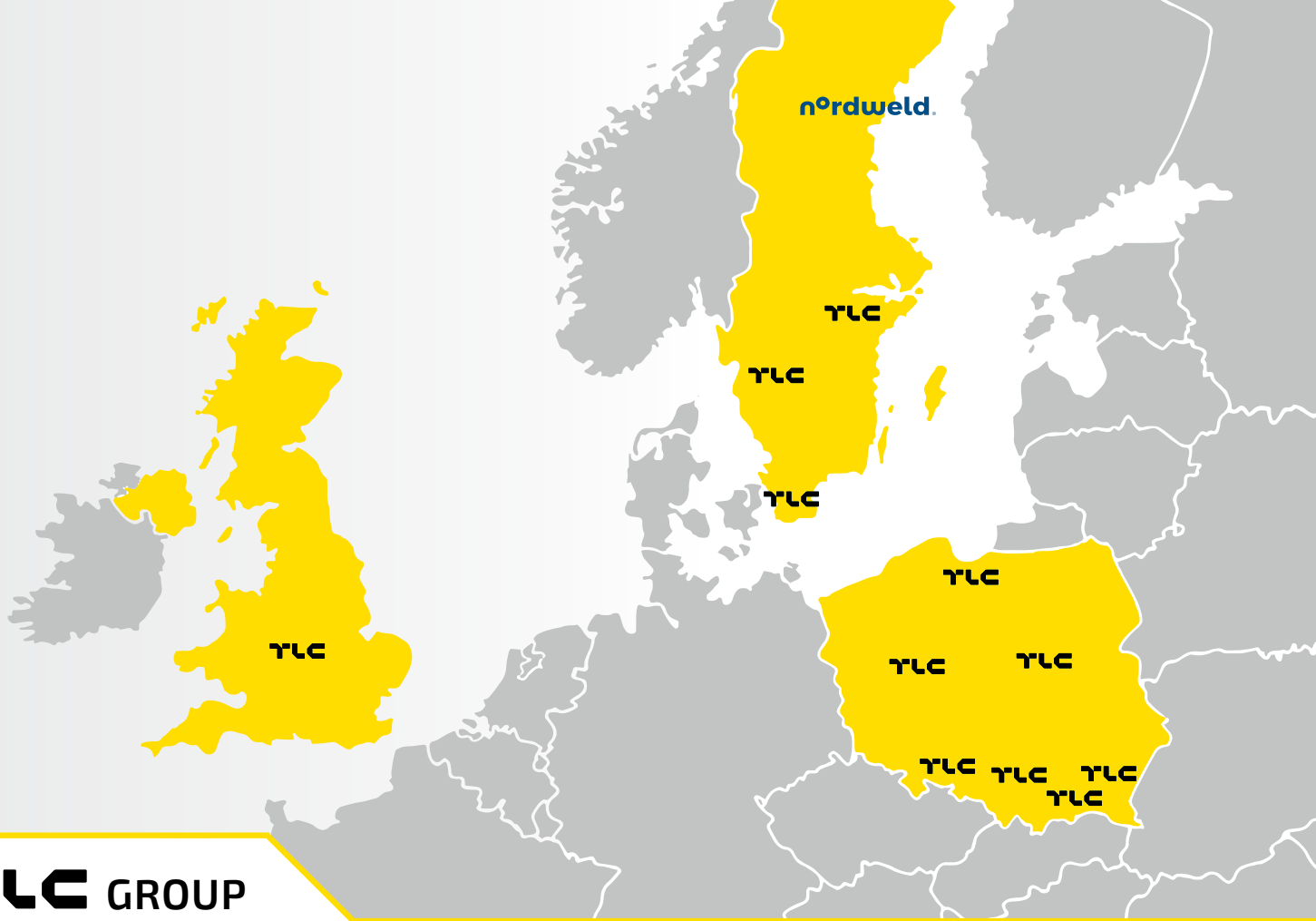
6



7



8



TLC GROUP

POLAND

TLC Architectural Metalwork

+48 18 35 00 800
info@tlc.eu
tlc.eu

TLC Rental

+48 22 720 17 17
info@tlcrental.pl
tlcrental.pl

SWEDEN

Inter **TLC**

+46 70 525 99 18
info@intertlc.se
intertlc.se

nordweld TBS

+46 73 818 34 44
info@nordweld.eu
nordweld.eu

UNITED KINGDOM

Inter **TLC**

+44 2033 690 080
info@intertlc.co.uk
intertlc.co.uk

TLC - MANUFACTURER OF STAIRS AND STEEL PLATFORMS FOR BUILDING INDUSTRY

TLC RENTAL - MOBILE PROTECTION SYSTEMS FOR CONSTRUCTION SITES

NORDWELD TBS - INNOVATIVE TANK BUILDING SYSTEM